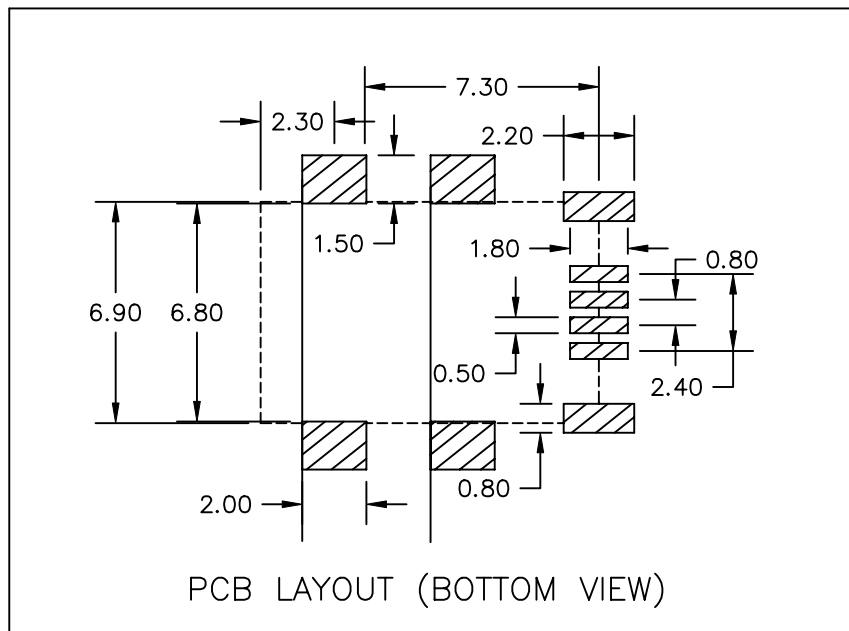
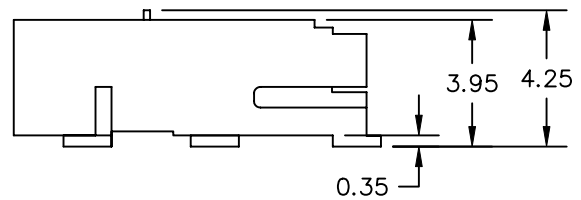
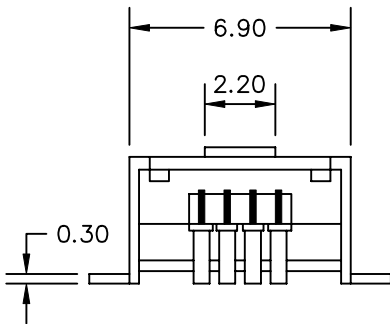
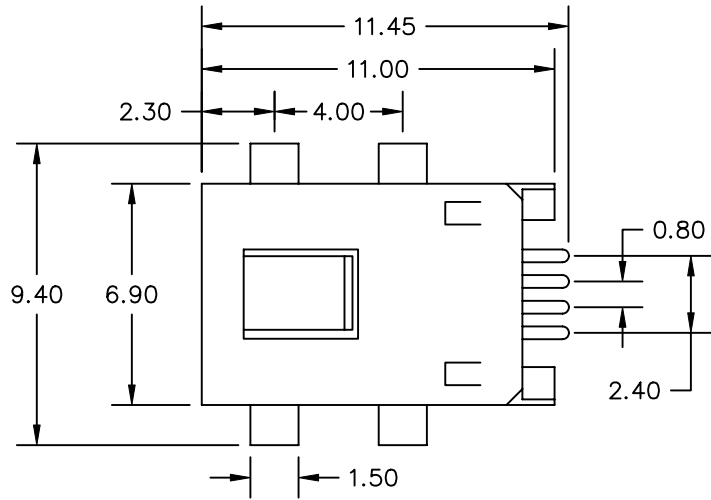


UNLESS OTHERWISE SPECIFIED, ALL DIMENSIONS ARE IN METRIC.

TO 1 DECIMAL PLACE ±.3  
 TO 2 DECIMAL PLACES ±.13  
 AS ANGLES ±1/2°

ISSUE	DATE
A	01/10/01
B	09/25/01



UNLESS OTHERWISE SPECIFIED, ALL DIMENSIONS ARE IN METRIC.

TO 1 DECIMAL PLACE ±  
TO 2 DECIMAL PLACES ±  
AS ANGLES ±

ISSUE	DATE
A	01/10/01
B	09/25/01

### SPECIFICATIONS

#### ELECTRICAL

CONTACT RATING: 1A AT 30 VRMS  
 CONTACT RESISTANCE: 30 MILLIOHMS MAX.  
 INSULATION RESISTANCE: 100 MEGOHMS MIN. AT 500 VDC  
 DIELECTRIC STRENGTH: 750 VRMS FOR 1 MINUTE

#### MECHANICAL

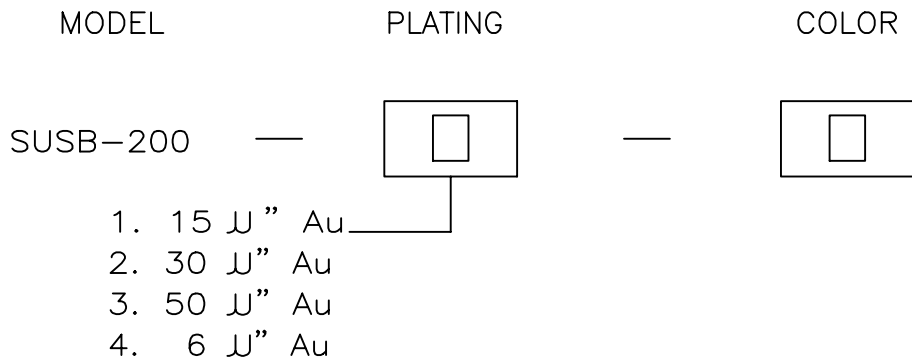
LIFE: 1500 CYCLES MIN.

#### ENVIRONMENTAL

OPERATING TEMPERATURE: 0°C TO 40°C  
 STORAGE TEMPERATURE: -40°C TO 85°C

#### MATERIAL:

TERMINAL: PHOSPHOR BRONZE - 0.25MM t  
 SHIELD: PHOSPHOR BRONZE - 0.25MM t  
 HOUSING: PBT 30% GLASS FILLED, UL94V-0  
 PLATING:  
 CONTACT AREA: GOLD OVER Pd-Ni OVER NICKEL  
 TERMINATION AREA: 120 μ IN. TIN MIN. OVER 50 μ IN. NICKEL  
 SHIELD: 200 μ IN. NI MIN. OVER 10 μ IN. CU



TITLE: USB CONNECTOR		PART NO: SUSB-200-X-X	
DATE: 01/10/01	DRAWN: RB	CHKD: TF	SCALE: N/A SHEET: 2 OF 2