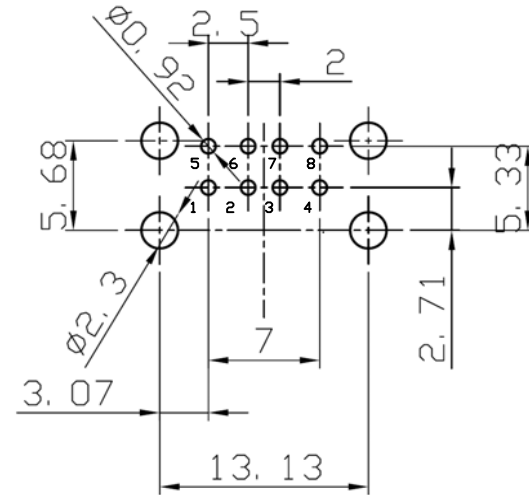
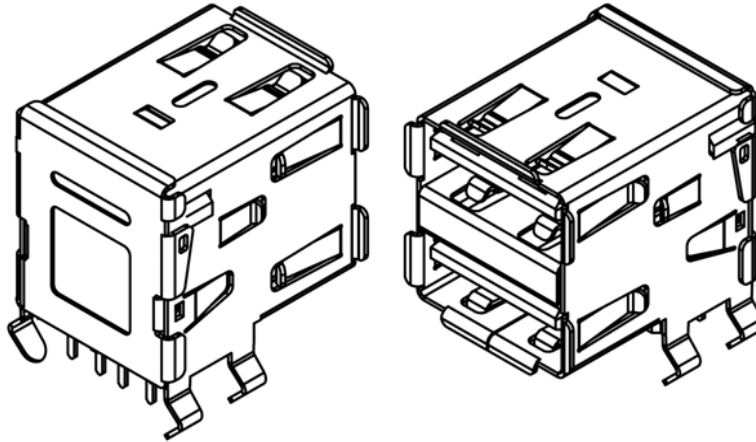
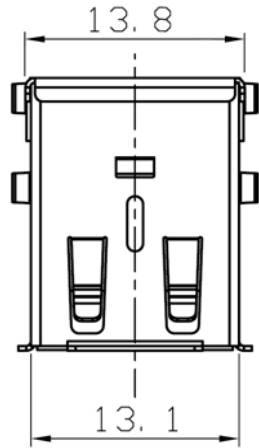
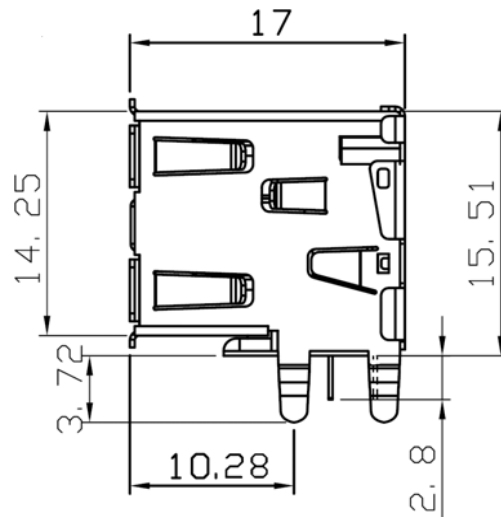
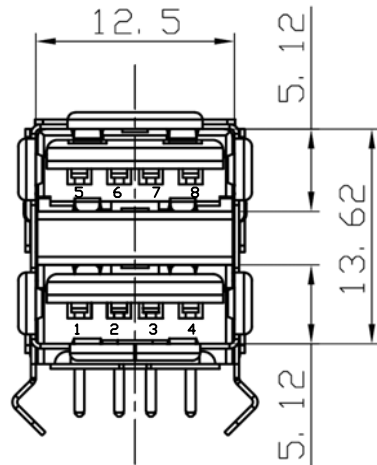


COMPONENT SPECIFICATION

USE OR REPRODUCTION OF THIS DRAWING FOR THE PURPOSE OF MANUFACTURING THIS ARTICLE OR ANY ARTICLES SHOWN FOR ANY PURPOSE IS STRICTLY PROHIBITED WITHOUT WRITTEN PERMISSION FROM SENIOR INDUSTRIES, INC.



P. C. B. Layout



RoHS COMPLIANT



**SENIOR INDUSTRIES, INC.**

DESIGNED:			SYM.	DATE:	DESCRIPTION OF REVISIONS:	DRAWN:	APPD:
DRAWN:	GAT	01/23/08	▲	01.23.08	NEW	GAT	JF
CHECKED:	GAT	01/24/08	▲	.	.		
APPROVED:	JF	01/24/08	▲	.	.		

TOLERANCE:	PART NO:	SUSB-205X-X-X
TO 1 DECIMAL PLACE: ±.3	TITLE:	DUAL USB CONNECTOR
TO 2 DECIMAL PLACES: ±.12	SHEET:	1 OF 2
AS ANGLES: ±1/2°		

3RD ANGLE		UNIT: mm	SCALE: 1:1	REV: A
-----------	--	----------	------------	--------

1

2

3

4

5

COMPONENT SPECIFICATION

USE OR REPRODUCTION OF THIS DRAWING FOR THE PURPOSE OF MANUFACTURING THIS ARTICLE OR ANY ARTICLES SHOWN FOR ANY PURPOSE IS STRICTLY PROHIBITED WITHOUT WRITTEN PERMISSION FROM SENIOR INDUSTRIES, INC.

SPECIFICATIONS

ELECTRICAL:

VOLTAGE RATING: 30 VAC (rms)  
CURRENT RATING: 1 Amp  
CONTACT RESISTANCE: 30 MILLIOHMS MAX.  
INSULATION RESISTANCE: 1000 MEGOHMS MIN.  
DIELECTRIC STRENGTH: 750 VAC MIN.

MECHANICAL:

OPERATING LIFE: 1,500 CYCLES  
MATING FORCE: 35N MAX.  
UNMATING FORCE: 10N MIN.

ENVIRONMENTAL:

OPERATING TEMPERATURE: 0°C TO +40°C  
STORAGE TEMPERATURE: -40°C TO +60°C

MATERIAL:

CONTACTS: PHOSPHOR BRONZE  
SHELL: COPPER ALLOY  
INSULATOR: PBT 30% FIBER GLASS, UL94V-0  
PLATING:  
NICKEL IN ALL AREA  
CONTACT AREA: GOLD OVER NICKEL  
SOLDER AREA: TIN OVER NICKEL  
SHELL: TIN OVER NICKEL

PART NUMBER BUILDER:

MODEL NO. SHIELDING PLATING

SUSB-205



HOUSING COLOR



BLANK - NO REAR SHIELD  
S - WITH REAR SHIELD

- 1. 15µ Au
- 2. 30µ Au
- 3. 50µ Au
- 4. 6µ Au

- 1 - BLUE
- 2 - RED
- 3 - BLACK (STD)
- 4 - BROWN
- 5 - GREEN
- 6 - WHITE
- 7 - GRAY
- 8 - ORANGE
- 9 - YELLOW
- 0 - VIOLET

RoHS COMPLIANT



**SENIOR INDUSTRIES, INC.**

DESIGNED:			SYM.	DATE:	DESCRIPTION OF REVISIONS:	DRAWN:	APPD:
DRAWN:	GAT	01/23/08	△	01.23.08	NEW	GAT	JF
CHECKED:	GAT	01/24/08	△	.	.		
APPROVED:	JF	01/24/08	△	.	.		

TOLERANCE:	PART NO:	SUSB-205X-X-X
TO 1 DECIMAL PLACE: ±	TITLE:	DUAL USB CONNECTOR
TO 2 DECIMAL PLACES: ±	SHEET:	2 OF 2

3RD ANGLE		UNIT: mm	SCALE:	REV: A
-----------	--	----------	--------	--------

AS ANGLES: ±	SHEET: 2 OF 2
--------------	---------------